

8 7 6 5 4 3 2 1

D

C

B

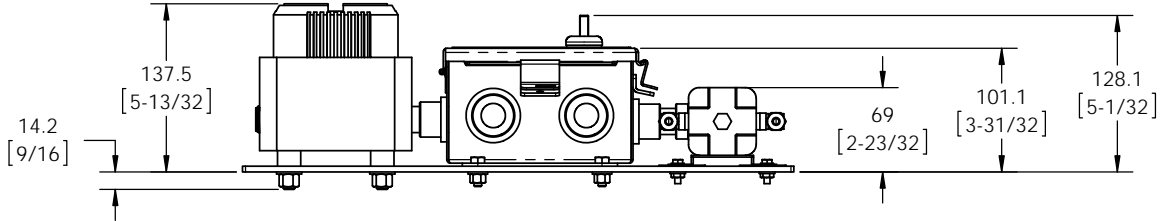
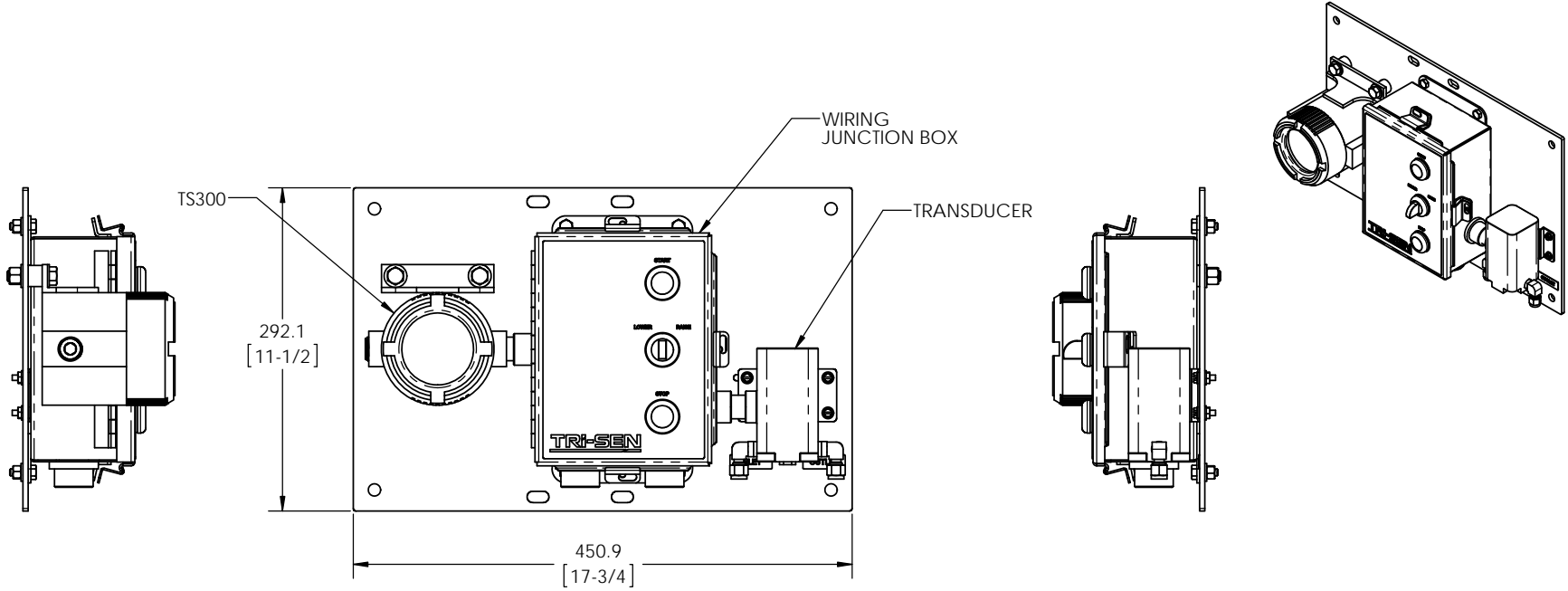
A

D

C

B

A



THE INFORMATION CONTAINED IN THIS DRAWING IS THE SOLE PROPERTY OF TRI-SEN SYSTEMS. ANY USE OR REPRODUCTION IN PART OR AS A WHOLE FOR MANUFACTURE OR PRODUCTION WITHOUT THE WRITTEN PERMISSION OF TRI-SEN SYSTEMS IS PROHIBITED. NORMAL USE OR REPRODUCTION ASSOCIATED WITH EQUIPMENT FURNISHED BY TRI-SEN SYSTEMS IS APPROVED.

A	3/20/12			NBR	
REV	DATE	DESCRIPTION	DRAWN	CHK	APP'D

DRAWING DIMENSIONING AND TOLERANCING PER ASME Y14.5  
 UNLESS OTHERWISE SPECIFIED: DIMENSIONS ARE IN MILLIMETERS [INCHES]  
 TOLERANCES: UNTOLERANCED DIMENSIONS ±3.2 MM [±.125 IN]  
 THIRD ANGLE PROJECTION. DO NOT SCALE DRAWING.

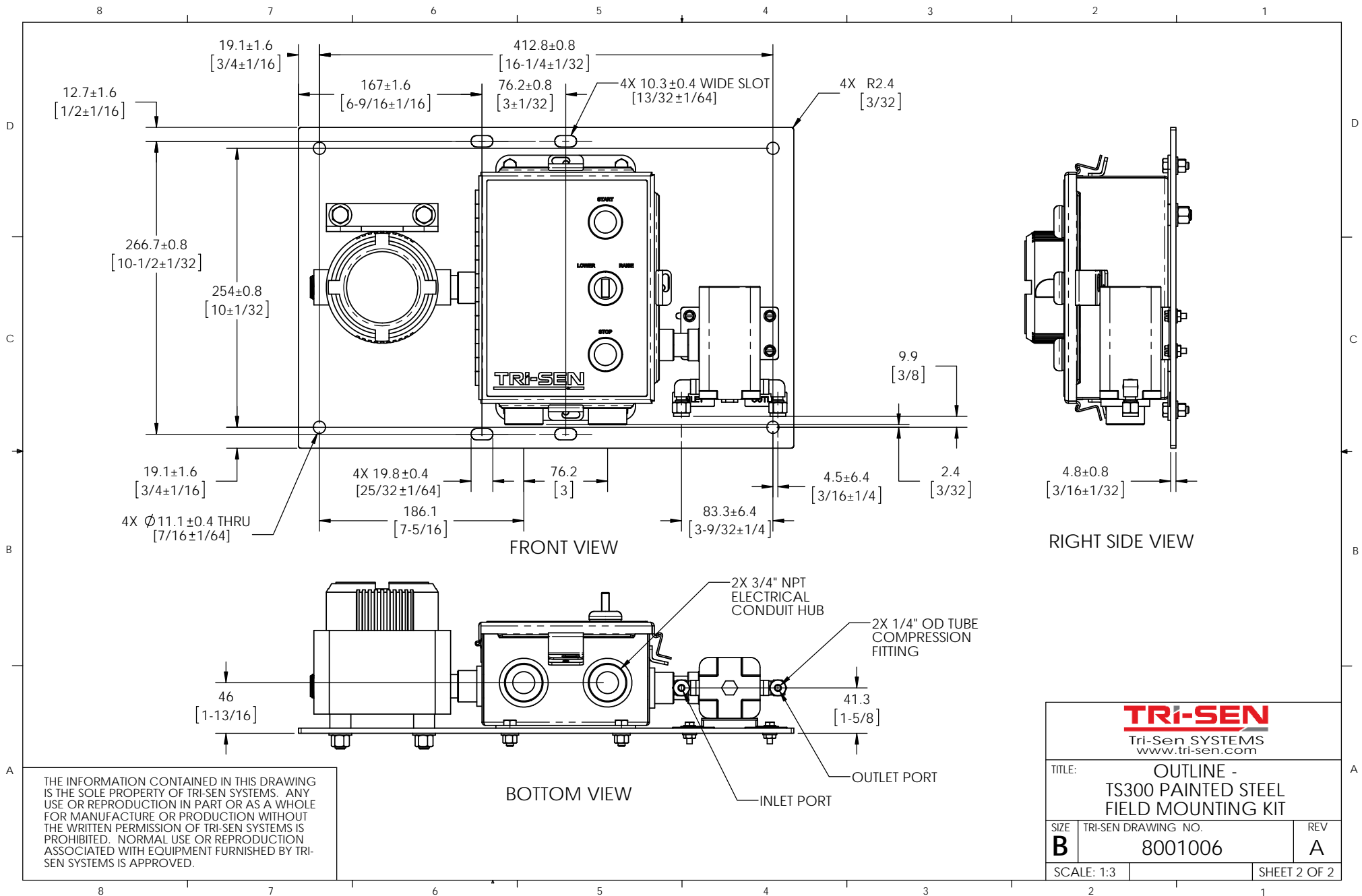
**TRI-SEN**  
 Tri-Sen SYSTEMS  
 www.tri-sen.com

TITLE: **OUTLINE - TS300 PAINTED STEEL FIELD MOUNTING KIT**

SIZE	TRI-SEN DRAWING NO.	REV
<b>B</b>	<b>8001006</b>	<b>A</b>

SCALE: 1:4 SHEET 1 OF 2

8 7 6 5 4 3 2 1



<b>TRI-SEN</b> Tri-Sen SYSTEMS www.tri-sen.com		
TITLE: <b>OUTLINE - TS300 PAINTED STEEL FIELD MOUNTING KIT</b>		
SIZE <b>B</b>	TRI-SEN DRAWING NO. <b>8001006</b>	REV <b>A</b>
SCALE: 1:3	SHEET 2 OF 2	