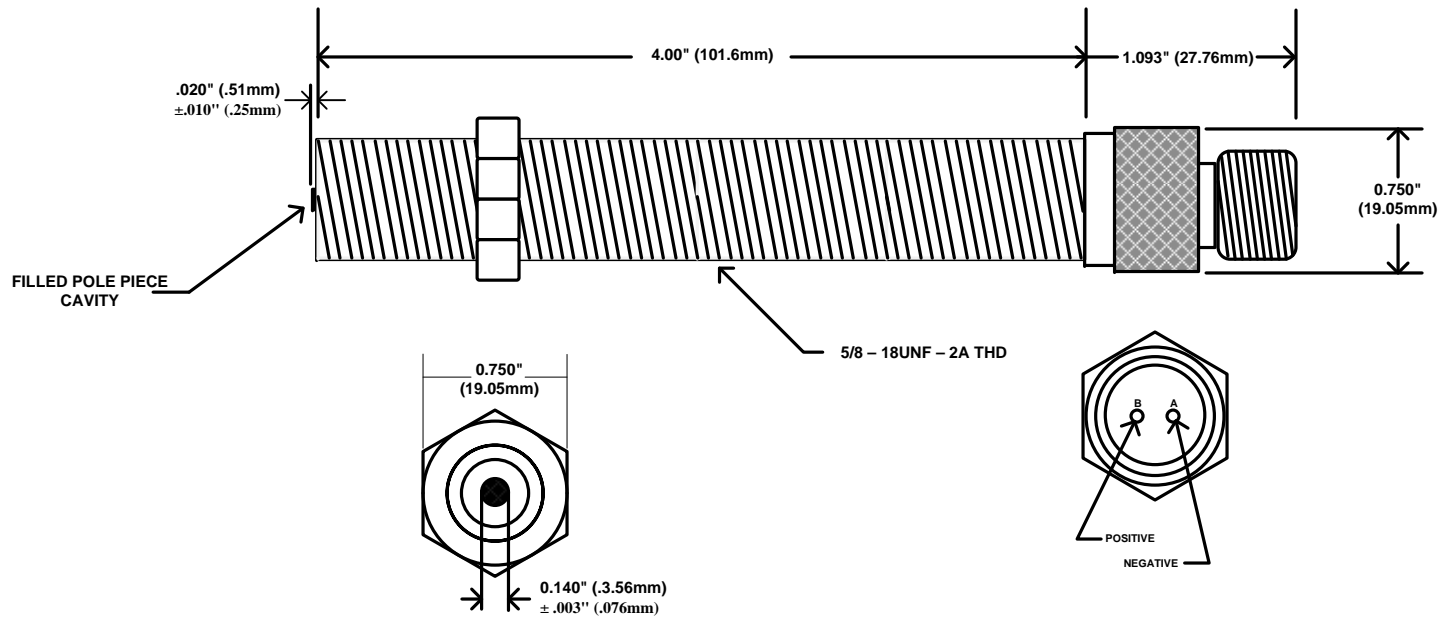


TRI-SEN P/N 7131-0004

GENERAL SPECIFICATIONS

OUTPUT VOLTAGE: 9.2V P-P min.
 COIL RESISTANCE: 210 OHMS Typ.
 POLE PIECE DIA.: 0.140" (3.6mm)

OPER. TEMP. RANGE: -65 to 225F (-54 to 107C)
 INDUCTANCE: 87 mH Typ.
 MATING CONNECTOR: MS3106A10SL-4S



		TRI-SEN		
		7131-0004 SPEED PICKUP		
Approved	Date	SIZE A	CLIENT P.O. NO.	TRI-SEN DRAWING NO. 7131-0004
				Rev. B
		SCALE NONE	SHEET 1 OF 1	