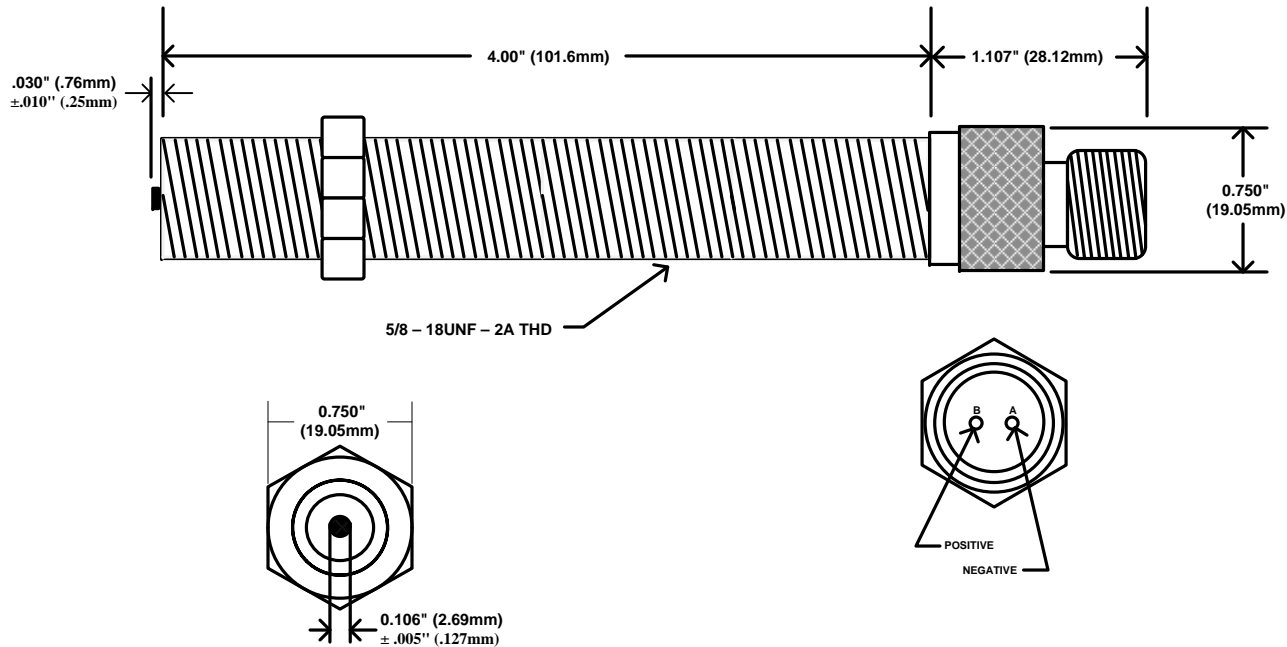


TRI-SEN P/N 7125-0000

GENERAL SPECIFICATIONS

OUTPUT VOLTAGE: 190V P-P min.
 COIL RESISTANCE: 910 to 1200 OHMS max.
 POLE PIECE DIA.: 0.106" (2.69mm)
 MIN. SURFACE SPEED: 10 IPS (.25 m/Sec.) Typical
 VIBRATION: Meets Mil-Std 202F Method 204D

OPER. TEMP. RANGE: -67 to 250F (-55 to 120C)
 INDUCTANCE: 450 mH max.
 GEAR PITCH RANGE: 24 DP (Module 1.06) or Coarser
 MAX. OPER. FREQ: 15 KHz Typical
 MATING CONNECTOR: MS3106A10SL-4S



		TRI-SEN		
		7125-000 SPEED PICKUP		
Approved	Date	SIZE A	CLIENT P.O. NO.	TRI-SEN DRAWING NO. 7125-0000
				Rev. B
		SCALE NONE	SHEET 1 OF 1	