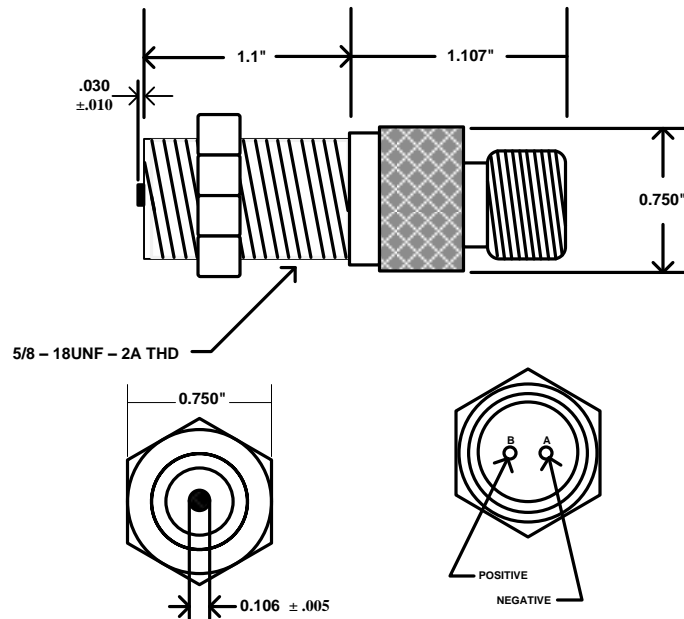


TRI-SEN P/N 7121-0000
MFG P/N 3030AN

GENERAL SPECIFICATIONS

OUTPUT VOLTAGE: 190V P-P min.
COIL RESISTANCE: 1200 OHMS max.
POLE PIECE DIA.: 0.106" (2.69mm)
MIN. SURFACE SPEED: 10 IPS (.25 m/Sec.) Typical

OPER. TEMP. RANGE: -40 to 250F (-40 to 120C)
INDUCTANCE: 450 mH max.
GEAR PITCH RANGE: 24 DP (Module 1.06) or Coarser
MAX. OPER. FREQ: 15 KHz Typical



| | | | | |
|----------|------|--------------------------|-----------------|----------------------------------|
| | | TRI-SEN | | |
| | | 7121-000 SPEED PICKUP | | |
| Approved | Date | SIZE D | CLIENT P.O. NO. | TRI-SEN DRAWING NO. 7121-0000 |
| | | | | Rev. A |
| | | SCALE NONE | | SHEET 1 OF 1 |