

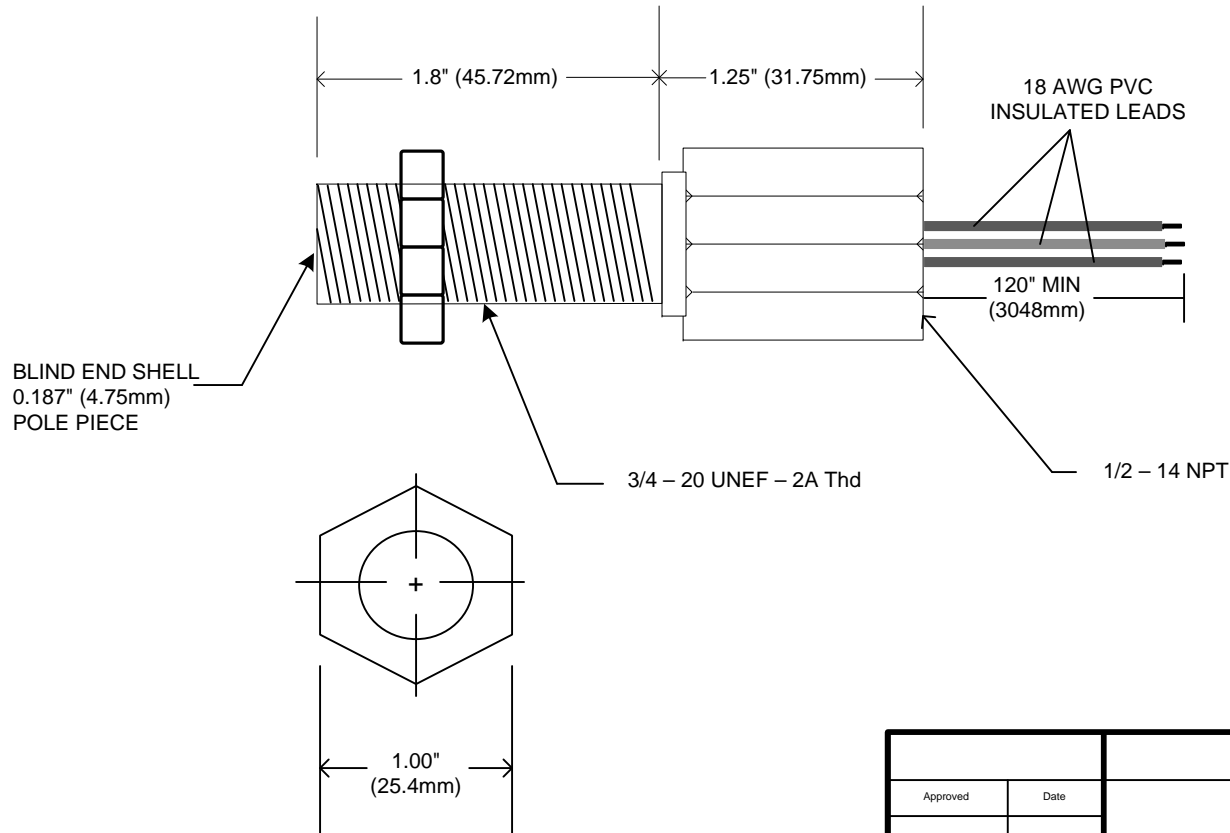
# TRI-SEN P/N 7120-0000

## GENERAL SPECIFICATIONS

OUTPUT VOLTAGE: 60V P-P min.  
 COIL RESISTANCE: 191 to 280 OHMS max.  
 POLE PIECE DIA.: 0.187" (4.75mm)  
 MIN. SURFACE SPEED: 15 IPS (.38 m/Sec.) Typical  
 VIBRATION: Meets Mil-Std 202F Method 204D

OPER. TEMP. RANGE: -100 to 200F (-73 to 93C)  
 INDUCTANCE: 115 mH max.  
 GEAR PITCH RANGE: 12 DP (Module 2.11) or Coarser  
 MAX. OPER. FREQ: 40 KHz Typical

Certified for use in hazardous locations as follows:  
 CLASS I – GROUPS ABCD: CLASS II – GROUPS EFG: CLASS III



		<b>TRI-SEN</b>		
		7120-0000 SPEED PICKUP		
Approved	Date	SIZE A	CLIENT P.O. NO.	TRI-SEN DRAWING NO. 7120-0000
				Rev. B
SCALE NONE			SHEET 1 OF 1	